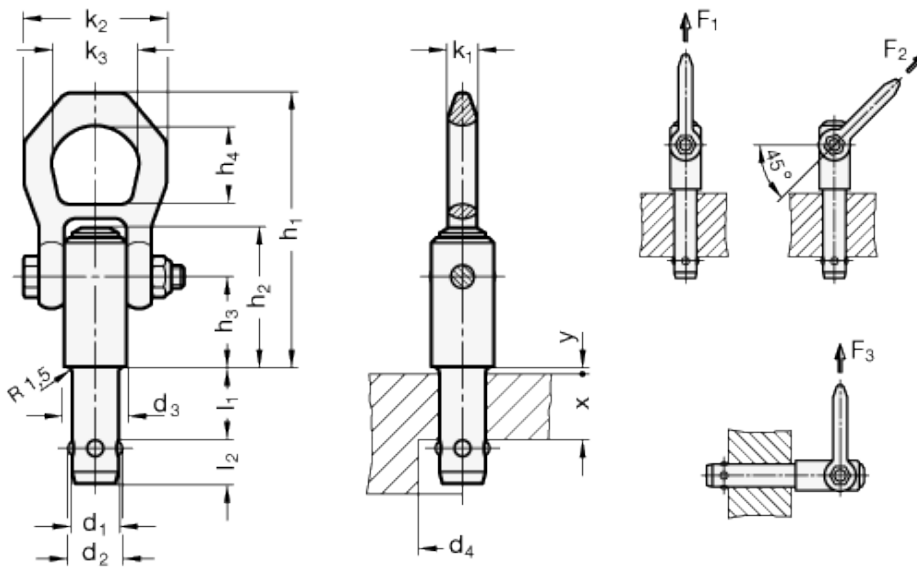


# GN 1130

Lifting pins



technical informations

**Stud, shackle**

Heat-treated steel, manganese phosphated.

**Push button**

Aluminium, red anodized.

**Spring**

Stainless Steel.

*Special executions on request*

- other diameter  $d_1$ .
- other lengths  $l_1$ .

### Features and applications

Lifting pins GN 1130 are carrier elements designed for fast and easy use. Pressing the red aluminium button will release the locking effect of the locking ball, allowing the load bolt to be moved in or out of the holding bore hole. The shackle rotates by at least 180°, with a safety flange fitted as a safeguard against inadvertent operation. Depending on the direction of pull, the ball load bolt may move freely by 360° in the holding bore hole. Sling and lifting gear permanently remaining at the workpiece (e.g. load rings) is no longer necessary. Holding bore holes with  $d_1$  H11 are sufficient in use.

Standard Elements	Main dimensions															Nominal load in kN*			Weight
	Description	$d_1$	$l_{1+1}$	$d_2$	$d_3$	$d_{4 \text{ min.}}$	$h_1$	$h_2$	$h_3$	$h_4$	$k_1$	$k_2$	$k_3$	$l_2$	$x_{\text{min.}}$	$y$	$F_1$	$F_2$	
GN 1130-8-10-ST	8	10	9.35	21.5	9.9	87.5	38.5	25.7	27	11	49	30	8.75	5	1.5	1.5	1.2	0.5	220
GN 1130-8-15-ST	8	15	9.35	21.5	9.9	87.5	38.5	25.7	27	11	49	30	8.75	5	1.5	1.5	1.2	0.5	226
GN 1130-8-25-ST	8	25	9.35	21.5	9.9	87.5	38.5	25.7	27	11	49	30	8.75	10	1.5	1.5	1.2	0.5	229
GN 1130-8-35-ST	8	35	9.35	21.5	9.9	87.5	38.5	25.7	27	11	49	30	8.75	20	1.5	1.5	1.2	0.5	232
GN 1130-10-15-ST	10	15	11.7	21.5	12.2	87.5	38.5	25.7	27	11	49	30	10.2	5	1.5	2.7	2.4	2.1	234
GN 1130-10-25-ST	10	25	11.7	21.5	12.2	87.5	38.5	25.7	27	11	49	30	10.2	15	1.5	2.7	2.4	2.1	239
GN 1130-10-35-ST	10	35	11.7	21.5	12.2	87.5	38.5	25.7	27	11	49	30	10.2	25	1.5	2.7	2.4	2.1	243
GN 1130-10-50-ST	10	50	11.7	21.5	12.2	87.5	38.5	25.7	27	11	49	30	10.2	40	1.5	2.7	2.4	2.1	252
GN 1130-12-15-ST	12	15	14.2	21.5	14.7	87.5	38.5	25.7	27	11	49	30	11	5	1.5	3.5	3.2	2.8	243
GN 1130-12-25-ST	12	25	14.2	21.5	14.7	87.5	38.5	25.7	27	11	49	30	11	10	1.5	3.5	3.2	2.8	247
GN 1130-12-35-ST	12	35	14.2	21.5	14.7	87.5	38.5	25.7	27	11	49	30	11	20	1.5	3.5	3.2	3.8	258
GN 1130-12-50-ST	12	50	14.2	21.5	14.7	87.5	38.5	25.7	27	11	49	30	11	35	1.5	3.5	3.2	2.8	267
GN 1130-16-25-ST	16	25	18.6	25	19.2	92.5	47.5	31	27	11	49	30	15.1	10	1.5	4.8	4.5	4.1	318
GN 1130-16-50-ST	16	50	18.6	25	19.2	92.5	47.5	31	27	11	49	30	15.1	15	1.5	4.8	4.5	4.1	350
GN 1130-16-75-ST	16	75	18.6	25	19.2	92.5	47.5	31	27	11	49	30	15.1	35	1.5	4.8	4.5	4.1	392

\* with 5-fold anti-fracture safety.



STANDARD MACHINE ELEMENTS WORLDWIDE